

Triac dimmable driver---Constant Current DIP Adjustment Multi-current output series 50W



■ Features:

- Output constant current
- Range AC input :180-240VAC
- Efficiency 82% Max
- Protections: short circuit/over load/ over current/
- Full protection plastic housing easy installation
- IP20 design for indoor installation
- Cooling by free air convection
- Dimming function: Triac dimmable Phase cut dimmable
- Strong compatibility, flicker-free dimming
- Suitable for LED lighting and moving sign applications
- Suitable for dry locations

■ Specification

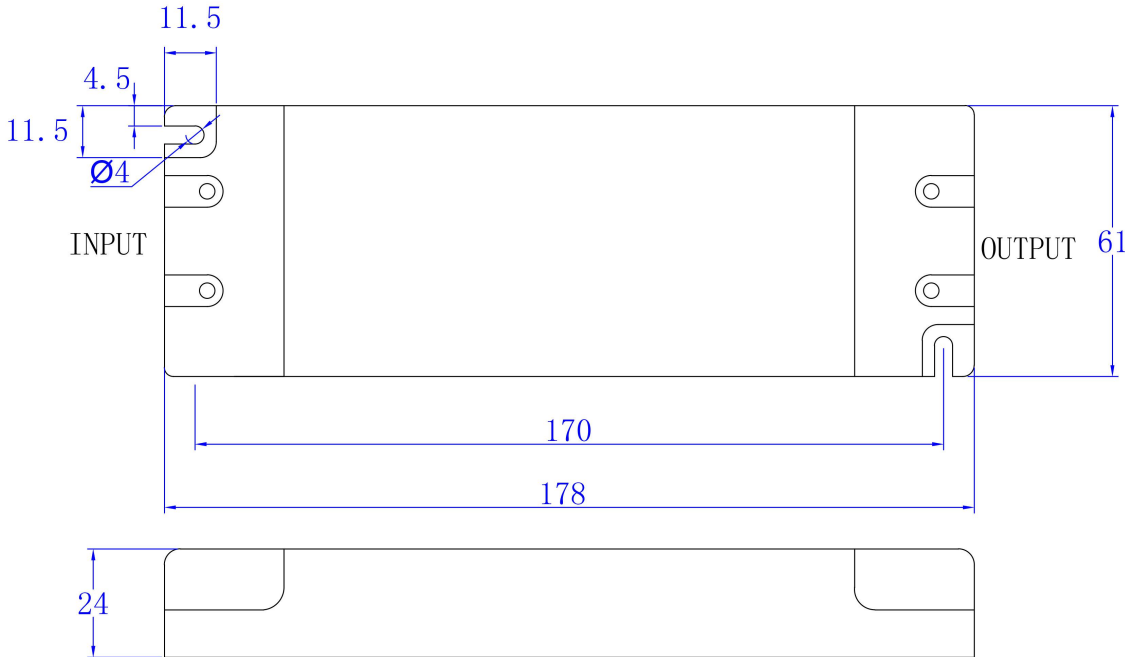


Model		KIP-050-TD						
Output	Rated current	1400mA ● ● ●	1250mA ● ○ ●	1200mA ● ● ○	1050mA ● ○ ○	900mA ○ ○ ●	850mA ○ ● ○	700mA ○ ○ ○
	Current Tolerance	±5%						
	DC Voltage	10-36V	10-40V	10-42V	10-48V	10-50V	10-50V	10-50V
	Rated power	50.4W	50W	50.4W	50.4W	45W	42.5W	35W
Input	Rated Input Voltage	180-240VAC						
	Rated Frequency:	47-63HZ						
	Power Factor	PF ≥ 0.55/180VAC PF ≥ 0.55/230VAC PF ≥ 0.55/240VAC(Full loading)						
	Full Load Efficiency(Typ.)	80%	80%	80%	80%	81%	81%	81%
	AC Current(Max.)	0.64A	0.64A	0.64A	0.64A	0.57A	0.53A	0.44A
	Leakage current	<0.50mA						
Protection	Short Circuit	Hiccup mode, recovers automatically after fault condition is removed						
	Output No-Load Voltage	52-60V						
	Over Load	≅ 120%						
	Protection Class:	II						
Environment	Working TEMP.	-40-+60°C						
	Working Humidity	20-95%RH,non-condensing						
	Storage TEM. Humidity	-40-+80°C,10-95%RH						
	TEMP. coefficient	±0.03%/°C(0-50°C)						
	Vibration	10-500Hz,5G 12min./1 cycle,period for 72min.each along X,Y,Z axes						
Safety & EMC	Safety standards	EN61347-1 EN61347-2-13						
	Withstand voltage	I/P-O/P:3.75KVAC						
	Isolation resistance	I/P-O/P:100MΩ/500VDC/25°C/70%RH						
	EMC EMISSION	EN55015, EN61000-3-2,3 (≅ 50% load)						
	EMC IMMUNITY	EN61000-4-2,3,4,5,6 ,11, EN61547,A light industry level (surge 4KV)						
Others	Weight	0.32Kg						
	Size	178*61*24mm(L*W*H)						

Triac dimmable driver---Constant Current DIP Adjustment Multi-current output series 50W

	packing	185*65*28mm inner box 290*215*240mm outside carton 20PCS/CTN
Notes	1. All parameters NOT specially mentioned are measured at 230VAC input , rated load and 25°C of ambient temperature. 2. Tolerance: includes set us tolerance, line regulation and load regulation .	

■ Mechanical Specification



■ Label

LED Driver (TRIAC Dimming-Leading edge)

Multi Output Constant Current

Model: KIP-050-TD • tc

Input: 180-240V~0.64A 50/60Hz

Pout: Max 50W Uout:10-50V

Iout:700 - 1400mA(Constant)

ta:50°C tc:90°C

ZHUHAI SHENGCHANG ELECTRONICS CO.,LTD.

Building 3, No.19, Yonglian Road, Qianshan Industrial Zone,
Zhuhai City, Guangdong Province, China Made in China

1	2	3	700mA	850mA	900mA	1050mA	1150mA	1250mA	1300mA	1400mA
ON	OFF	OFF	10-50V	10-50V	10-50V	10-48V	10-43V	10-40V	10-38V	10-36V
Max. Power			35W	42.5W	45W	50.4W	49.5W	50W	49.4W	50.4W

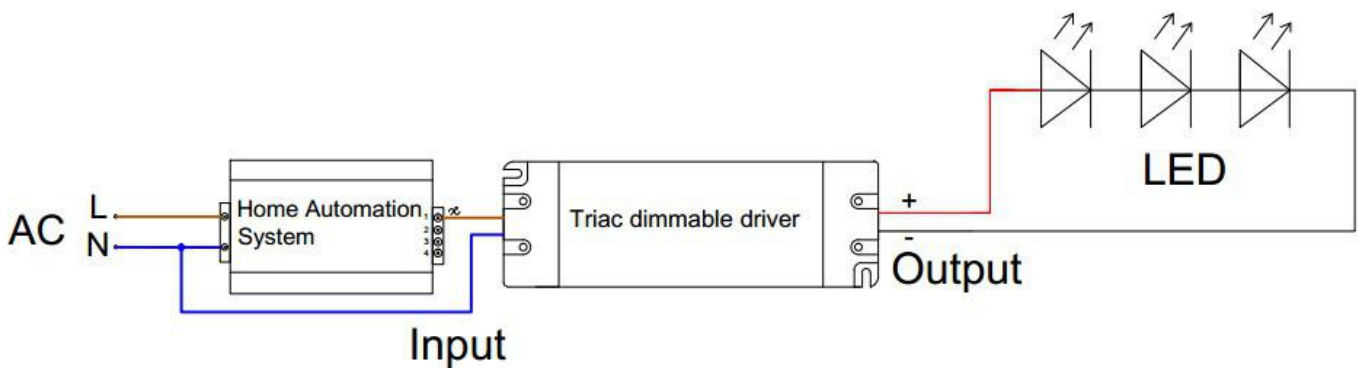
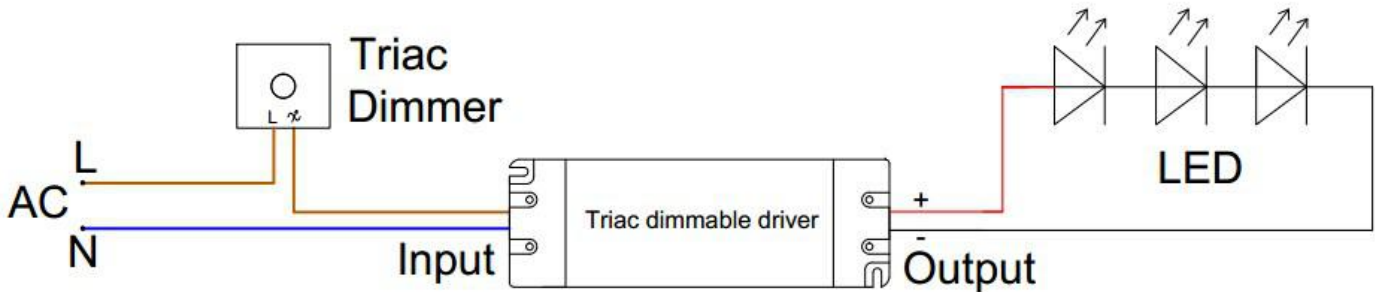
CE, RoHS, REACH, IP20 SELV

- ※Input with Live Wire AC (L), Neutral Wire AC(N)
- ※Output LED SEC output Positive (LED+) , output negative(LED-). Connected to LED Lamps.
- ※ Suggested wire diameter:Input 0.75-2.5mm²; Output:0.5-2.5mm².
- ※ Please make sure you connect these correctly otherwise your product will not function correctly and could be damaged.
- ※Note: Any other requests we can customized.

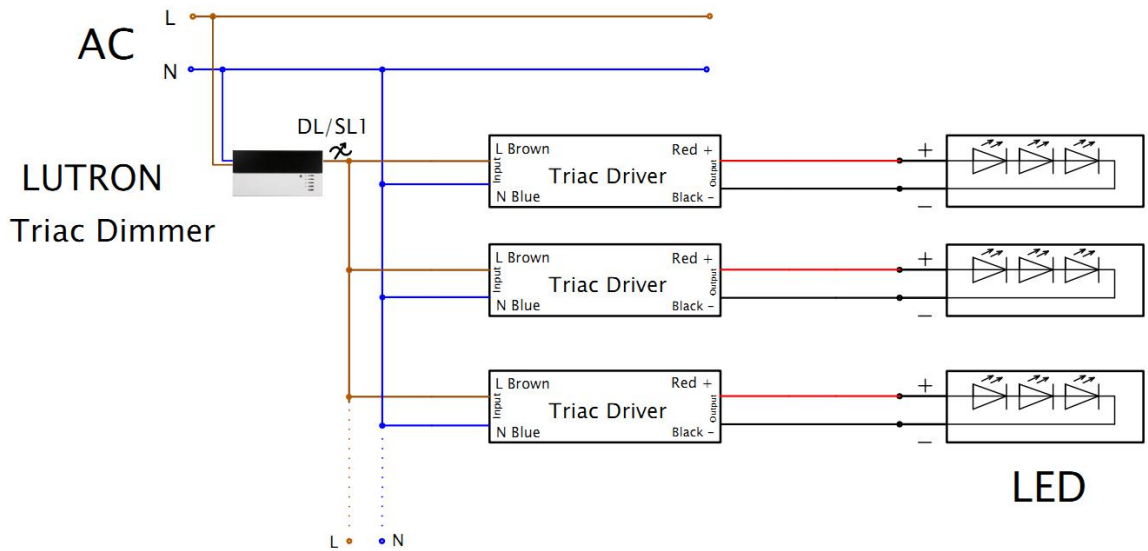
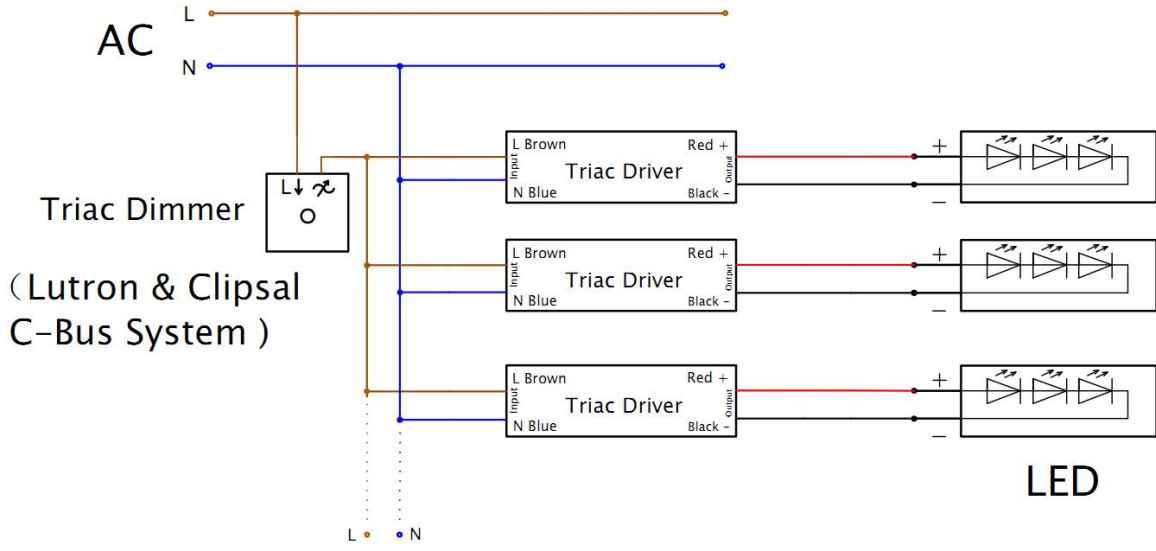
■ Dimming Operation

- ※Output constant current level can be adjusted through input terminal of the AC phase line(L) by connection a triac dimmer.
- ※Usually matching with leading edge Triac Dimmers and some kind of the trailing edge Triac Dimmers.
- ※please try to use the small power dimmer, have access to a wider dimming range, high-power dimmer is difficult to achieve the output current to zero
- ※please try to use dimmers with power at least 3 times as the output power of the driver.

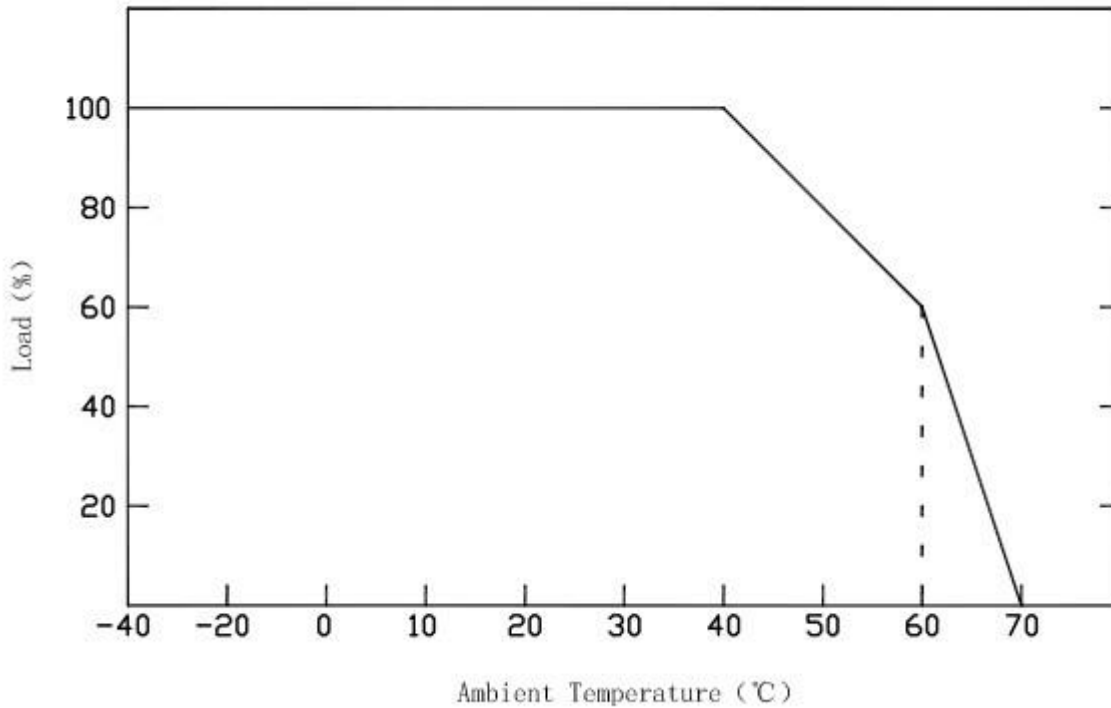
■ Connecting Diagram in Single (I)



■ Connecting Diagram Multiple(II)



Derating Curve



※To extend their life, please refer to the Derating Curve and derate according to the temperature.

Instruction:

- 1) This driver should be installed by qualified and professional person;
- 2) Please make sure the transformer is installed with adequate ventilation around it to allow for heat dissipation.
- 3) Ensure that wiring is correct before test in order to avoid light and power supply damage;
- 4) If driver cannot work normally, don't maintain privately; Have any question, please contact Shengchang.

Any other question please feel free to contact ZHUHAI SHENGCHANG ELETRONICS CO